

Magnetic Floor Sweeper

Heavy-Duty Model

Standard Floor Sweeper
Available in widths from: 12" to 48"



Collapsible Handle Floor Sweeper
Available in widths from: 12" to 48"



APPLICATION:

MPI Standard and Collapsible Handle Magnetic Floor Sweepers are designed to collect tramp iron over smooth and uneven surfaces. The Collapsible Handle model is designed for reaching under machinery. Popular uses include the collecting of:

- Metal Turnings from floors in machine shops.
- Steel Stampings from around presses.
- Hazardous nails and sharp metal objects from driveways, walkways, and grounds of construction sites.

The permanent magnet is not affected by adverse weather conditions such as rain, cold or hot temperatures. The permanent magnet provides a powerful, continuous magnetic field. The all-welded, heavy-gauge stainless steel construction is designed for rugged indoor and outdoor environments.

OPERATION:

Simply roll the sweeper over the ferrous metal to be collected. As the strong magnetic field passes over the metal it will be drawn to the magnetic surface at the bottom of the sweeper. To remove the collected metal from the sweeper's magnetic surface, simply lift the lever on the handle to separate the magnet from the collection pan surface, the metal will fall off into a pile that can easily be removed.

For the Collapsible Handle model, simply loosen the handle's star knob and set the handle angle to your meet you job's requirements, then tighten the star knob and continue as mentioned above.

CONSTRUCTION:

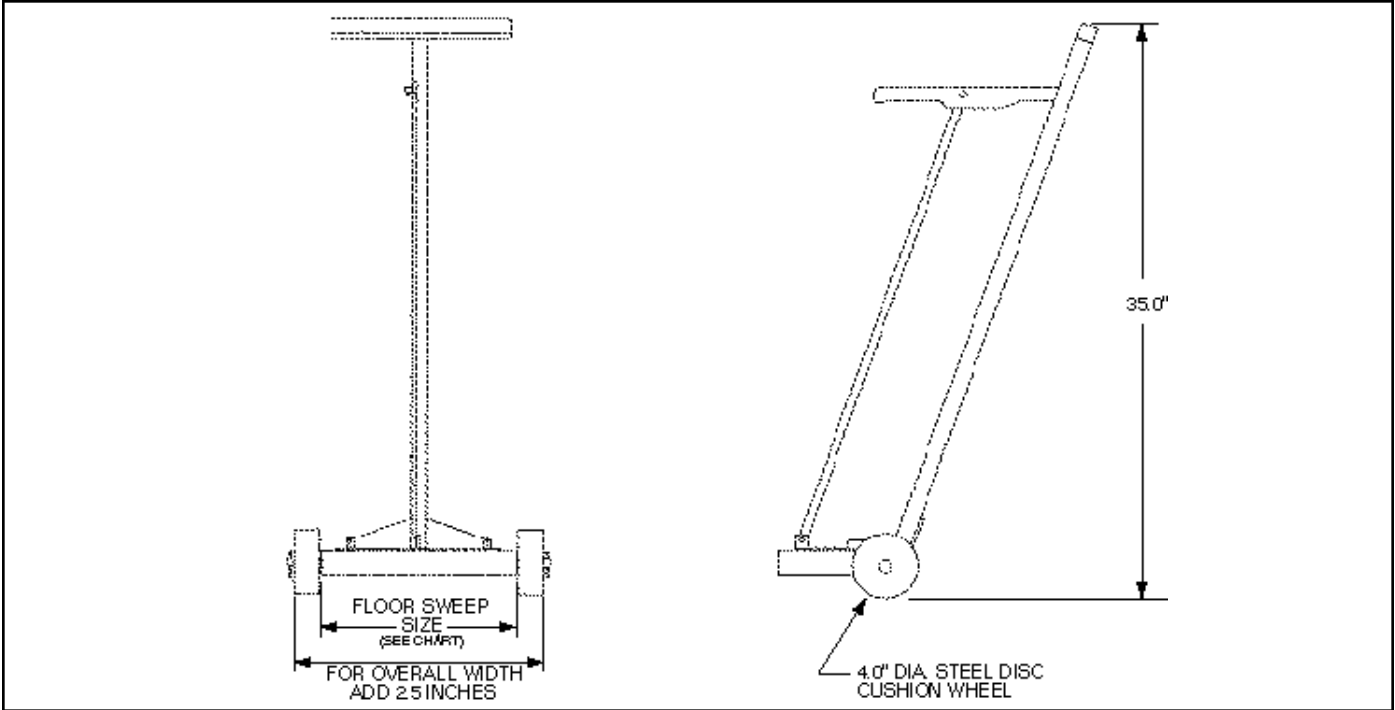
- Permanent Ceramic magnetic material – will not demagnetize.
- All-welded heavy gauge stainless steel construction.
- Five standard sizes available.



Magnetic Products, Inc.
*Providing Magnetic Solutions
for the Material Handling Industry*



*Providing Magnetic Solutions
For The Material Handling Industry*



SELECTION:

A variety of units in sweeping widths ranging from 12 to 48 inches are available from stock. Smaller pick-up tools and larger tow-behind vehicle styles are also offered. Special size units and product features are available upon request.

With over 100 years of collective experience in the industry, MPI can provide free engineering service and recommendations to fit your application(s). For more information please contact your local sales representative or call our facility.

FS SERIES SELECTION GUIDE

FS MODEL NUMBER	FLOOR SWEEPER WIDTH	
	IN.	CM.
FS-12	12.0	30.5
FS-18	18.0	45.7
FS-24	24.0	61.0
FS-36	36.0	91.4
FS-48	48.0	121.9

Optional Sizes available upon request.

Specifications subject to change.

DISTRIBUTED BY:



Magnetic Products Inc.

P.O. Box 529 • 683 Town Center Dr. • Highland, MI • 48357

TOLL FREE: **800-544-5930 • 248-887-5600**

FAX: **248-887-6100**

EMAIL: **info@mpimagnet.com**